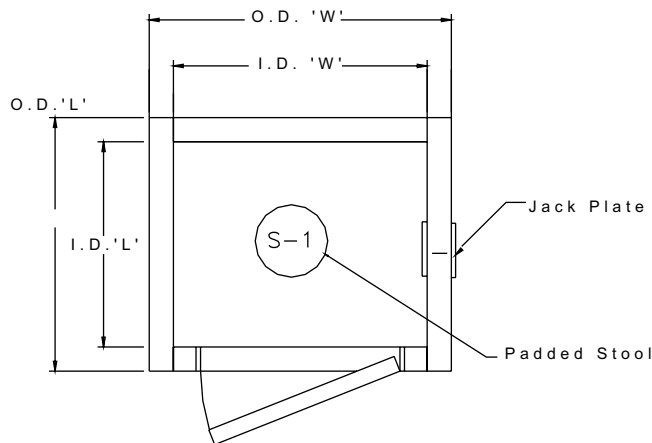




Accutone 2

AUDIOMETRIC BOOTHS

The 40m/multi-man Series **Single-Wall** (individual room) construction is a single or multiple occupancy room constructed of 4 inch thick modular panels, complete with carpeted vibration isolated floor, space-saver roof mounted ventilation, recessed electrical, **Noise-Lock®** doors and double glazed windows, audiometric jack panels acoustically matched and shipped ready for field installation.



40m Series

Typical Plan

Model No.	Inside Dimension LxWxH			Outside Dimension LxWxH			Weight lbs
	Ft - In	x Ft - In	x Ft - In	Ft - In	x Ft - In	x Ft - In	
40m-1	2 - 10	x 3 - 6	x 6 - 6	3 - 6	x 4 - 2	x 7 - 7	1101
40m-2	3 - 6	x 6 - 8	x 6 - 6	4 - 2	x 7 - 4	x 7 - 7	1905
40m-4	6 - 2	x 6 - 2	x 6 - 6	6 - 10	x 6 - 10	x 7 - 7	2554
40m-6	6 - 2	x 7 - 6	x 6 - 6	6 - 10	x 8 - 2	x 7 - 7	2933
40m-8	6 - 2	x 8 - 8	x 6 - 6	6 - 10	x 9 - 4	x 7 - 7	3264
40m-10	6 - 2	x 10 - 10	x 6 - 6	6 - 10	x 11 - 6	x 7 - 7	3880

INDUSTRIAL ACOUSTICS COMPANY, INC.
IAC...is Making the World a Quieter Place!

40m Series Audiometric Booths

40m GENERAL NOTES:

1. **TOTAL ESTIMATED DESIGN WEIGHT:** () LBS.
2. **PANEL CONSTRUCTION:** NOISELOCK V (WALLS) AND NOISE-LOCK VI (CEILING)
INTERIOR SURFACES: 22GA. GALVANIZED STUCCO EMBOSSED PERFORATED STEEL
EXTERIOR SURFACES: 14GA. COLD ROLLED STUCCO EMBOSSED SOLID STEEL
FLOOR INTERIOR SURFACE: 11GA. HOT ROLLED STEEL
3. **FINISH:** BAKED ACRYLIC ENAMEL PAINT
COLOR: CHOICE OF (10) STANDARDS
4. **FLOOR COVERING:** INDUSTRIAL NYLON CARPET
COLOR: (TO MATCH PAINT COLOR SELECTION) 3/8" THICK UNDERLAYMENT AND 2 1/2" H BLACK COVE BASE MOLDING INCLUDED.
5. **DOOR:** (1) 2' X 9" WIDE X 6' -11 1/2" HIGH CLEAR OPENING CAM-LIFT SPLIT-FRAME WITH 1' 4" W X 2' 0" H ALUMINUM FRAME DOUBLE GLAZED WINDOW, PUSH PLATE AND PULL HANDLES. **NOTE:** DIMENSIONS LOCATING DOOR ARE SHOWN TO THE CLEAR OPENING.
6. VIBRATION ISOLATOR RAILS TO BE PROVIDED BELOW FLOOR PANELS.
7. 2" MINIMUM CLEARANCE IS REQUIRED BETWEEN THE EXTERIOR OF TESTING BOOTH AND HOST FACILITY WALLS/CEILING.
8. DIVIDER CURTAINS AND STOOLS PROVIDED FOR EACH STATION.
9. **LARGEST PANEL SIZE:** () WIDE X () LONG X () THICK - CUSTOMER TO ENSURE ADEQUATE SITE ACCESS.
10. **VENTILATION:** () CFM SYSTEM COMPRISED OF INTEGRATED SPASAVER EXHAUST/INLET AIR CEILING SILENCER PANELS AND 120V, 60HZ, 14W FANS.
11. **ELECTRICAL:**
 - () 120V RECESSED INCANDESCENT LIGHT FIXTURE
 - (2) 120V TOGGLE SWITCH FOR FANS AND LIGHTS
 - (1) 120V QUAD RECEPTACLE WITH POWER CORD (ROOF MOUNTED)
 - (1) AUDIOMETRIC JACK NETWORK COMPRISED OF:
 - (1) MASTER JACK PLATE WITH () SWITCHCRAFT #112B 3-CONDUCTOR JACKS (EXTERIOR)
 - () STATION JACK PLATES WITH (3) SWITCHCRAFT #112B 3-CONDUCTOR JACKS (INTERIOR)
 - (LOT) BOXES, CONNECTORS, CABLE, WIREMOLD, ETC. AS REQUIRED FOR COMPLETE INSTALLATION**NOTE:**
 - A. CUSTOMER TO PROVIDE 110V, 60 HZ, 20 AMP POWER TO ROOF MOUNTED QUAD RECEPTACLE POWER CORD.
 - B. ALL ELECTRICAL IS WIRED PER 2002 NATIONAL ELECTRIC CODE
 - C. BOOTH IS FACTORY UL CERTIFIED AND LABELED
12. CUSTOMER TO PROVIDE A FINISHED FLOOR WHICH IS WITHIN +/- 1/4" OF LEVEL IN 10 NON-CUMULATIVE FEET.



INDUSTRIAL ACOUSTICS COMPANY, INC.

1160 commerce Ave, Bronx, New York 10462-5599 USA

Tel: 718-931-8000 / Fax: 718-863-1138

Website: www.industrialacoustics.com

E-mail: info@industrialacoustics.com

UK: Winchester, Hampshire Germany: Niederkruchten